

Energy and data transmission

CP Series conductors

Flat cables

PVC FLAT CABLES ANTI-AGING H07VVH6-F

Particularly suitable for supply and control circuits, lifting and handling equipment.



- Comply with CEI 20 - 22 II (flame resistant)
- Insulation class 2/3
- Operational voltage 450/750V
- Sheathing colour blue
- Internal conductors with flexible PVC sheathing progressively numbered, plus earth conductor (yellow/green)
- Operating temperature -5 °C +70 °C

CODE	N° CROSS SECTION	APPROXIMATE OUTER DIMENSIONS	STRAND n./ mm	APPROXIMATE WEIGHT gr/m	TOTAL CROSS SECTION mm ²	CODE	N° CROSS SECTION	APPROXIMATE OUTER DIMENSIONS	STRAND n./ mm	APPROXIMATE WEIGHT gr/m	TOTAL CROSS SECTION mm ²
CP0415AF	4X1,5	15X5,2	30X0,25	150	6	CP2425AF	24X2,5*	54X13	50X0,25	1.100	60
CP0815AF	8X1,5	29X5,5		300	12	CP0404AF	4X4	21X7,5	56X0,30	330	16
CP1215AF	12X1,5	41X5		420	18	CP0804AF	8X4	38X5		550	32
CP1615AF	16X1,5	54X8		510	24	CP0406AF	4X6	24X8	84X0,30	440	24
CP1815AF	18X1,5	43X11		700	27	CP0806AF	8X6	38,5X8		742	48
CP2415AF	24X1,5	51X13		1.000	36	CP0410AF	4X10	35X11	7X12X0,40	800	40
CP0425AF	4X2,5	21X5,7		50X0,25	240	10	CP0416AF	4X16	36,5X12	7X18X0,40	1.200
CP0825AF	8X2,5	33X6	420		20	CP04250AF	4X25	43X13	7X28X0,40	1.700	100
CP1225AF	12X2,5	50X7	640		30	CP0435AF	4X35	50X14	7X39X0,40	2.050	140
CP1625AF	16X2,5	41X13	1.000		40						
CP1825AF	18X2,5*	50X13	1.050		45						

On request the same cables can be supplied - minimum requirement is 500 m - with: heat resistant upto 105° tinned red copper shield.

* Minimum supply 500 m.

Energy and data transmission

CT Series conductors

Round cable with dual strain relief cords



TECHNO-LIFTING EQUIPMENT

ROUND CABLE WITH DUAL STRAIN RELIEF STEEL WIRES - S05VVD7-F

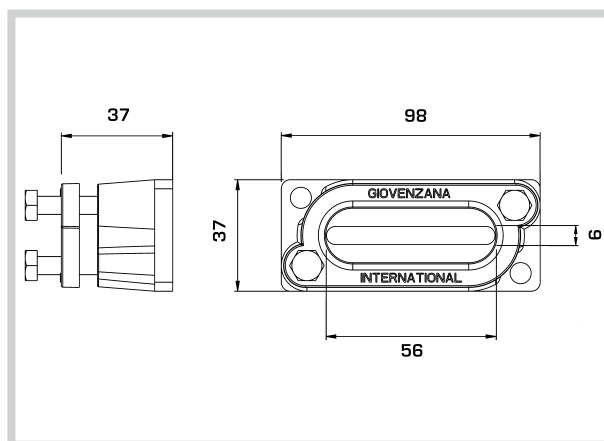
Made for heavy duty applications in particular for pendant push button stations and moving electromechanical components. The two steel wire ropes are embedded, diametrically opposed to PVC sheathing. The rope cut into lengths and just hooked the steering control to avoid any stress on the cable.



- Comply with CEI 20 - 22 II (flame resistant)
- Insulation class 2/3
- Operational voltage 300/500V
- Sheathing colour blue
- Internal conductors with flexible PVC Sheathing progressively numbered, plus earth conductor (yellow/green)
- Operating temperature: -5°C +70°C
- Ø 2mm steel wires
- Breaking point: 60 kg/mm²

CODE	N° CROSS SECTION	APPROXIMATE OUTER CABLE Ø	DIMENSIONS WIRE ROPE	STRAND n./ mm	APPROXIMATE WEIGHT gr/m	TOTAL CROSS SECTION mm ²
CT0815AUAF	8X1,5	11,6	23,6	30X0,25	225	12
CT1215AUAF	12X1,5	14,4	26,4		315	18
CT1615AUAF	16X1,5	16	28		415	24
CT1815AUAF	18X1,5	17	29		470	27
CT2015AUAF	20X1,5	18	30		525	30
CT2415AUAF	24X1,5	21	33		620	36

FLAT CABLE



12903010